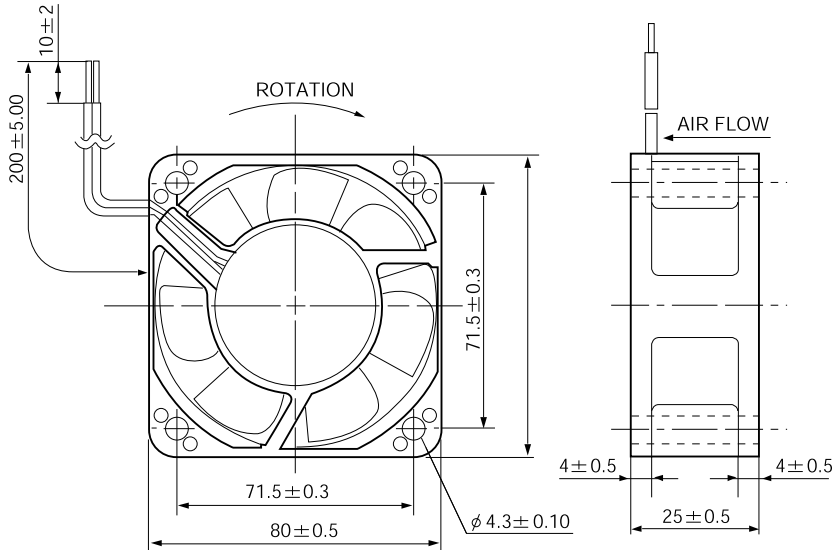
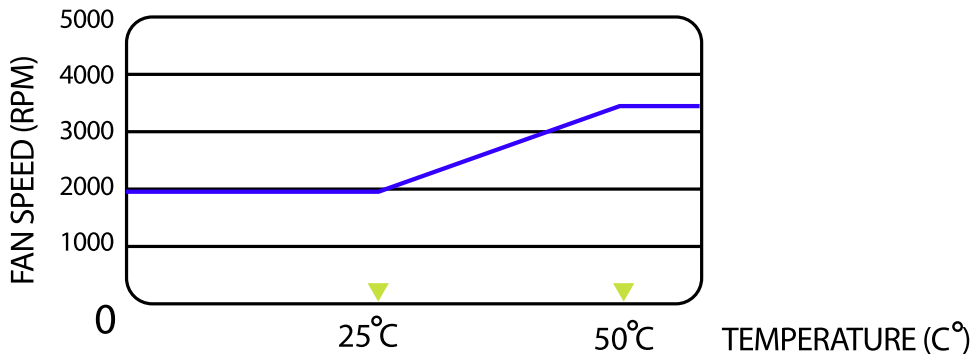


Model: TF8025

External Dimensions:



Performance Curves:



Specifications:

Model #:	TF8025
Dimension:	80 x 80 x 25 mm (3.15" x 3.15" x 0.98")
Rated Voltage:	12 VDC
Power Input:	1.8 ~ 2.8 W
Fan Speed:	1950 ~ 3400 RPM
Air Delivery:	23.8 ~ 41.6 CFM
Noise Level:	25.5 ~ 37.5 dB(A)
Bearing Type:	Double Ball Bearing

Contact Info: Mailing Address: 43185 Osgood Rd. Fremont, CA 94539
 Phone: 510.668.0368 Fax: 510.668.0367 www.vantecusa.com