



# NexStar<sup>®</sup>

## Universal Storage Adapter



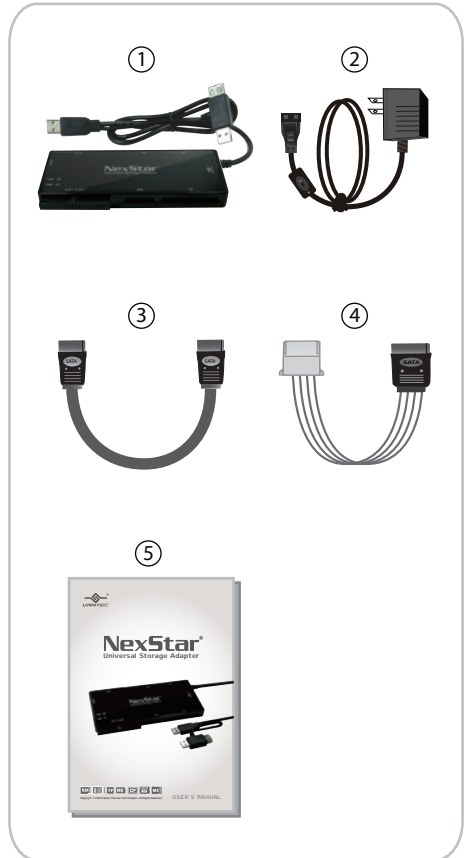
Copyright © 2009 Vantec Thermal Technologies. All Rights Reserved.

USER'S MANUAL

# Package Contents:

## *NexStar® Universal Storage Adapter*

- ① NexStar® Universal Storage Adapter
- ② Power Adapter with On/Off Switch
- ③ SATA Data Cable
- ④ SATA Power Adapter Cable
- ⑤ User's Manual



### TRADEMARKS

MS-DOS, Microsoft, Windows NT/2000/ME/XP/Vista are trademarks of Microsoft Corporation.  
Apple, Macintosh and Mac are trademarks of Apple Computer

\*All other third-party brands and names are the property of their respective owners.

# Table of Contents:

<b>1. Introduction</b> .....	02
<b>2. Specifications / Features</b> .....	03
<b>3. System Requirements</b> .....	04
<b>4. Parts Layout</b> .....	05
<b>5. Installation</b>	
5.1 Using the card reader .....	06
5.2 2.5" IDE Hard Drive Installation .....	07
5.3 3.5" IDE Hard Drive Installation .....	08
5.4 2.5" & 3.5" SATA Hard Drive installation .....	09
<b>6. Warranty</b> .....	11
<b>7. Contact</b> .....	11

# 1. Introduction:

The Vantec NexStar® Universal Storage Adapter provides the flexibility of connecting almost any type of storage device to your computer. Whether it is a hard drive, optical drive, SSD, IDE/SATA or a memory card, this adapter does it all. Easily backup, transfer, copy files from your new or old storage devices conveniently through a fully hot-swappable USB interface. This makes the Vantec NexStar® Universal Storage Adapter an ideal tool for any service technician, IT consultant, or even a home user. No drivers are required which makes it practically a simple plug & play device that enables you to read and write to multiple storage devices with ease. The Vantec NexStar® Universal Storage Adapter is the perfect all-in-one solution for any storage access needs!



## 2. Specifications/Features:

### NexStar® Universal Storage Adapter

#### Features:

- Easily Connect Storage Devices to Your Computer Via USB
- Transfer Rates Up to 480Mbps with USB 2.0
- 4 Read/Write Memory Slots for Support Up to 66 Different Types of Memory Cards
- Backup Your Data with Ease
- Includes a 110V~240V Certified External Power Adapter which Provide Consistent Power to Your External Device
- Hot-Swappable: Plug & Play Without The Need of Rebooting
- Highly Compact and Extremely Portable

#### Specifications:

Model:	CB-ISATACR
Device Support:	All IDE & SATA Devices Memory Cards (see chart)
Device Size:	2.5"/3.5"/5.25"
Interface:	USB 2.0
Storage Capacity:	Up to 2 TB*
Power Supply:	AC Adapter
Material:	Plastic
Dimension:	139 x 54 x 14.5mm
Cable Length:	80cm (31.5 inches)

\*For the most updated Storage Capacity, please check our website: [www.vantecusa.com](http://www.vantecusa.com)

MEMORY CARDS SUPPORT		*card adapter required.
<b>CF</b>	CF-type I / CF-type II / CF-ultra II / CF-pro / CF-pro II / CF Extreme / CF Extreme III / CF Extreme IV / CF-PSP II / CF-Super / CF-Ultra X / CF-Alpha / CF-UDMA4 / IBM MD / MAGIC STOR MD	
<b>MS</b>	MS / MS-Magic Gate / MS-PRO Magic Gate / HS-MS-PRO Magic Gate / MS-DUO / MS-DUO Magic Gate / MS-PRO Duo / HS-MS-PRO Duo / MS-PRO Duo-PSP / MS-PRO Duo-Gaming / MS M2*	
<b>SD</b>	SD / SDHC / SDHC-Ultra / SDHC Ultra II / SDHC Class 2 / SDHC Class 4 / SDHC Class 6 / SDC / SD-Pro / SD-Pleomax / SD-Pro C / SD-Ultra / SD-Ultra II / SD-Ultra II Plus / SD-Extreme III / SD-Ultra X / SD-Turbo / SD-Super / SD-Max / Mini SD / Mini SD-Pro / Mini SD-Pleomax /	
<b>MMC</b>	MMC / MMC-Pleomax / MMC Pro / HS-MMC / MMC Plus / MMC-Plus Turbo / RS MMC / RS MMC-Pleomax / RS MMC-Speed / RS MMC-Max / MMC Mobile / MMC Mobile-ProC / MMC Mobile-Pocketnet /	
<b>Micro SD</b>	Micro SD* / T-Flash*	
<b>XD</b>	XD / XD(M) / XD(H)	

### 3. System Requirements:



Intel Pentium II 266 MHz-compatible  
Microsoft Windows 2000/XP/Vista.

1. 64MB RAM or higher
2. USB-equipped system with available USB port
4. For USB 2.0 speeds, the system must support USB 2.0 specifications.

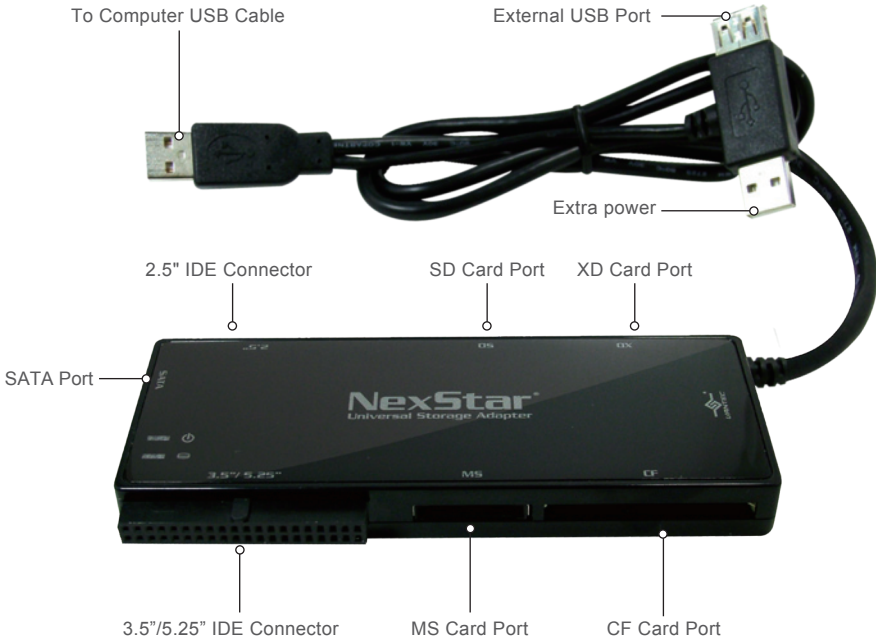


Mac G3 processor & greater  
Mac OS 9.x & greater

1. 64MB RAM or higher
2. USB-equipped system with available USB port
4. For USB 2.0 speeds, the system must support USB 2.0 specifications.

# 4. Parts Layout:

## *NexStar® Universal Storage Adapter*

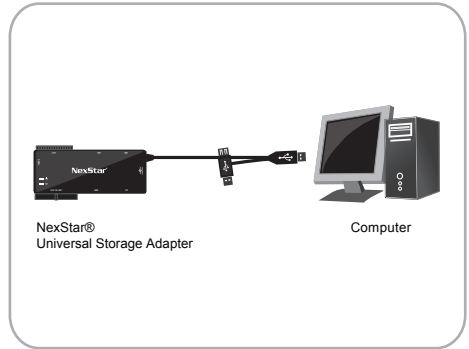


## 5. Installation:

### *NexStar® Universal Storage Adapter*

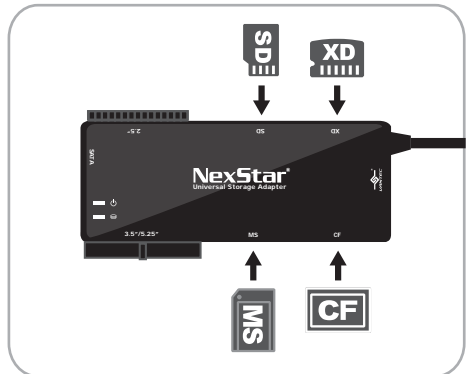
#### 5.1. Using the card reader:

- (1) Connect USB cable to your PC USB port.  
( Figure 5.1-A )



( Figure 5.1-A )

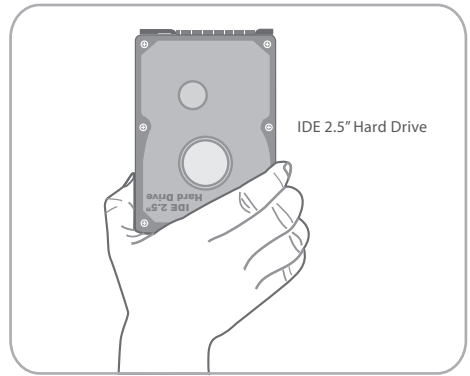
- (2) Insert your memory card into the appropriate drive slot. ( Figure 5.1-B )



( Figure 5.1-B )

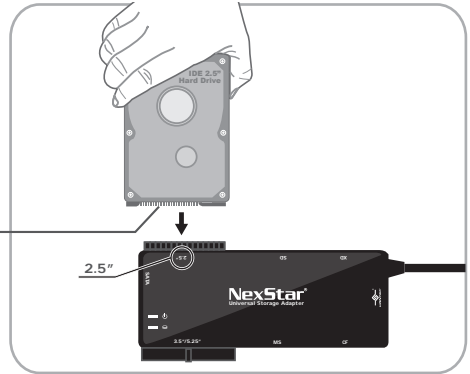
## 5.2. 2.5" IDE Hard Drive Installation:

- (1) Insert 2.5" IDE hard drive (HDD) into the slot.  
Turn the front side upward. ( Figure 5.2-A )



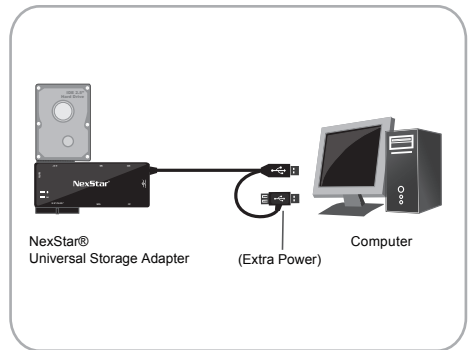
( Figure 5.2-A )

- (2) Make sure that the IDE 2.5" HDD pins align to the device slot. ( Figure 5.2-B )



( Figure 5.2-B )

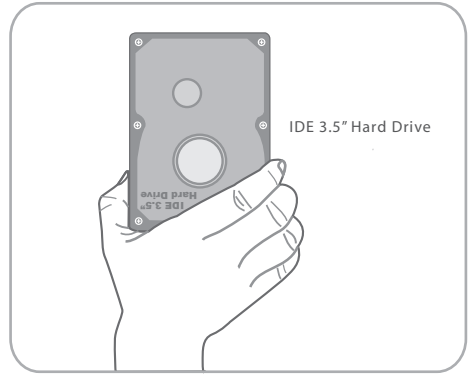
- (3) Connect the USB cable to the USB port on the PC.  
Once connected properly, the HDD should be automatically detected and be ready for use.  
(You might need to connect both USB cables for adequate power.) ( Figure 5.2-C )



( Figure 5.2-C )

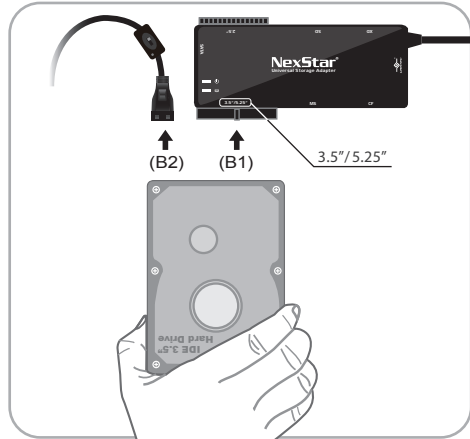
### 5.3. 3.5" IDE Hard Drive Installation:

- (1) Insert 3.5" IDE hard drive into the slot. Turn the front side upward. (Set the HDD to MASTER if needed.) ( Figure 5.3-A )



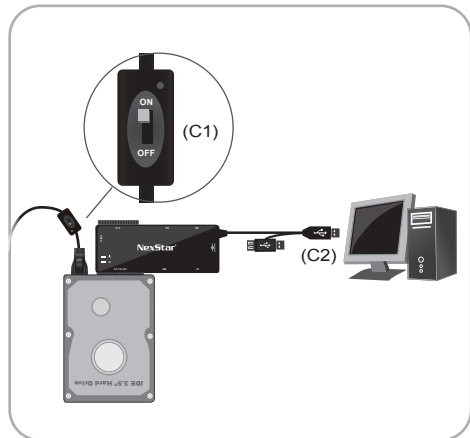
( Figure 5.3-A )

- (2) Connect the larger 40-pin IDE connector of NexStar – Universal Storage Adapter to the hard drive. ( Figure 5.3-B1 )
- (3) Connect a 4-pin power connector from power supply to hard drive. ( Figure 5.3-B2 )



( Figure 5.3-B1 5.3-B2 )

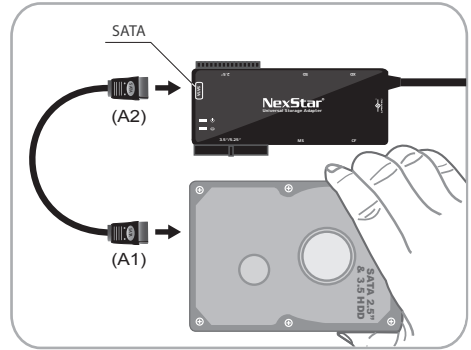
- (4) Turn on the device power. ( Figure 5.3-C1 )
- (5) Connect the USB cable to the USB port on the PC. Once connected properly, the HDD should be automatically detected and be ready for use. ( Figure 5.3-C2 )



( Figure 5.3-C1 5.3-C2 )

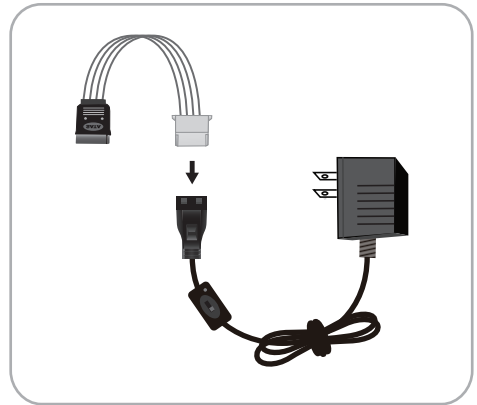
#### 5.4. 2.5" & 3.5" SATA Hard Drive installation:

- (1) Using a SATA cable, connect one cable header to your SATA hard drive. ( Figure 5.4-A1 )
- (2) Connect the other header to the SATA port of NexStar® Universal Storage Adapter.  
( Figure 5.4-A2 )



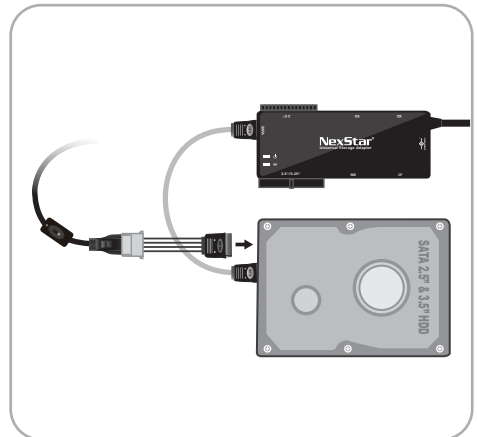
( Figure 5.4-A1 5.4-A2 )

- (3) Connect Power Cable to Power Adapter.  
( Figure 5.4-B )



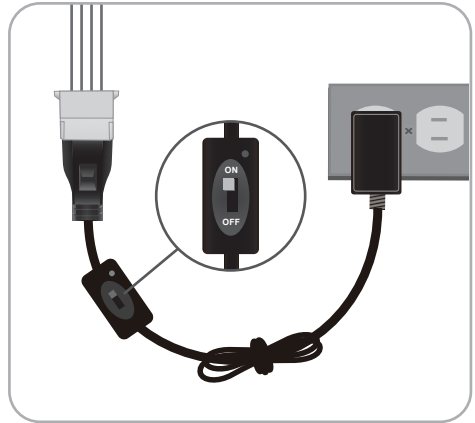
( Figure 5.4-B )

- (4) Connect Power Adapter to hard drive.  
( Figure 5.4-C )



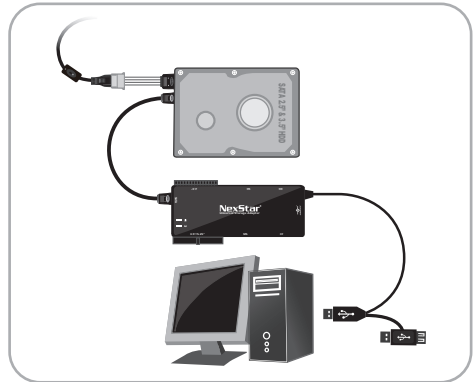
( Figure 5.4-C )

- (5) Turn on the power, HDD will begin to spin up.  
( Figure 5.4-D )



( Figure 5.4-D )

- (6) Connect the USB cable to the USB port on the PC. Once connected properly, the HDD should be automatically detected and be ready for use.  
( Figure 5.4-E )



( Figure 5.4-E )

## NOTE :

1. Keep the HDD in a flat position when being used.
2. Make sure Power Adapter Switch has been turned off before disconnecting the HDD from the Power Cable.
3. Do NOT touch PCB of the HDD when it is power-on.
4. Never remove, shake or flap the HDD when hard drive is in use.

## 6. Warranty:

The NexStar® Universal Storage Adapter comes with a 1 year limited warranty ( 90 day parts ). If your unit should become defective within that time frame, please go to <http://www.vantecusa.com> for information on how to receive warranty exchange or repair. Cosmetic defects and missing parts are not covered under this warranty. Please check the contents of the unit to make sure you received all parts. Also, check for any cosmetic flaws. If any parts are missing or if there are cosmetic defects, please contact the retailer from which you purchased the unit immediately and ask for a replacement.

## 7. Contact :

### **Vantec Thermal Technologies**

43951 Boscell Rd.

Fremont, CA 94538

tel: 510-668-0368

fax: 510-668-0367

website: [www.vantecusa.com](http://www.vantecusa.com)

Copyright © 2009 Vantec Thermal Technologies. All Right Reserved.  
All Registered Trademarks Belong To Their Respective Companies.