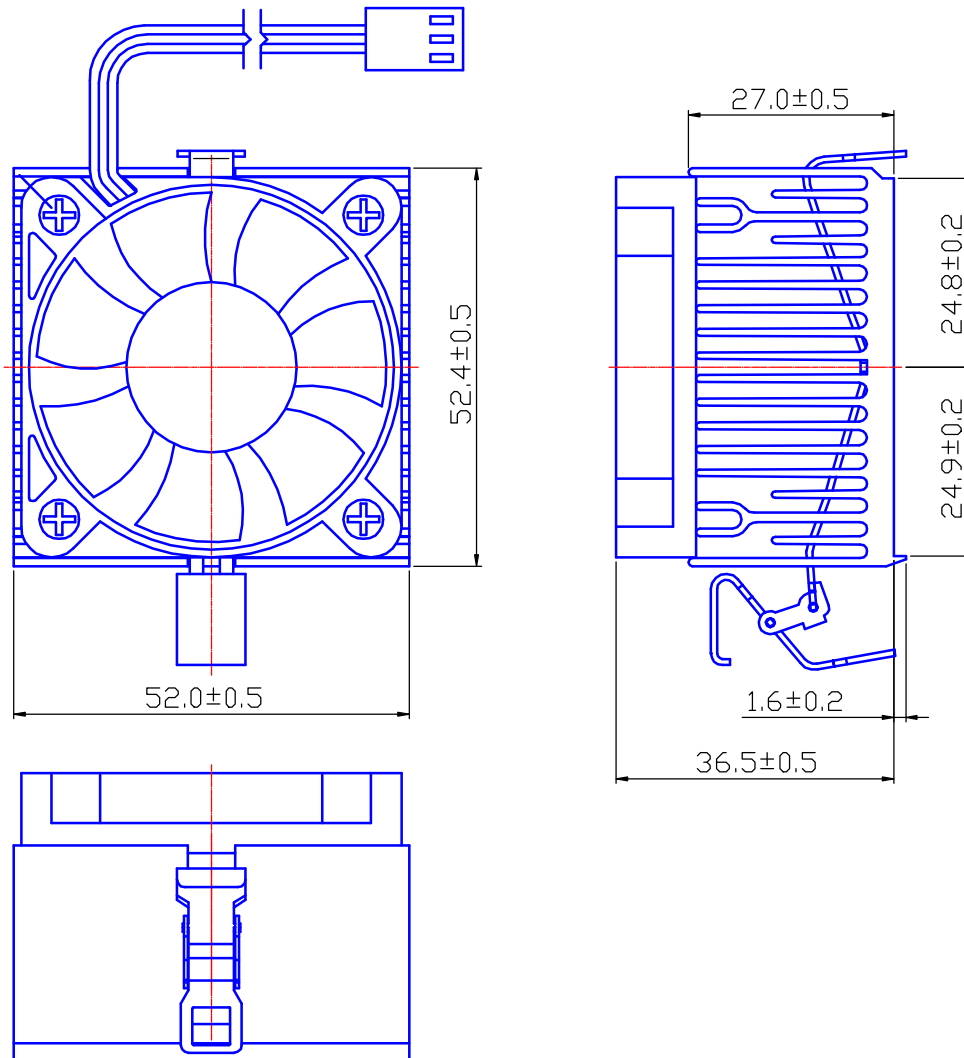


MODEL NO.: FCE-5026N

Heat Sink Material	AL6063T5
Heat Sink Dimension	52.0x52.0x26.0 (mm)
Fan Dimension	50.0x50.0x10.5 (mm)
Out Line Dimension	52.0x52.0x36.5 (mm)
Clip	CLP504
Clip Material	SK7
Thermal Resistance	0.94°C/W
Weight	97.0 (gm)
Bearing Type	Ball Bearing
Wire Length	200.0±10.0 (mm)
Wire Type	Pin1:Black Pin2:Red Pin3:Yellow
Connector Type	2510-3P

Notes:

- 1.Heat Sink Color:
- 2.Thermal Interface:
- 3.Customer:



43185 Osgood Road Fremont, CA 94539
Tel/510.668.0368 Fax/510.668.03 67
www.vantecusa.com