

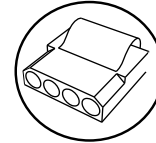
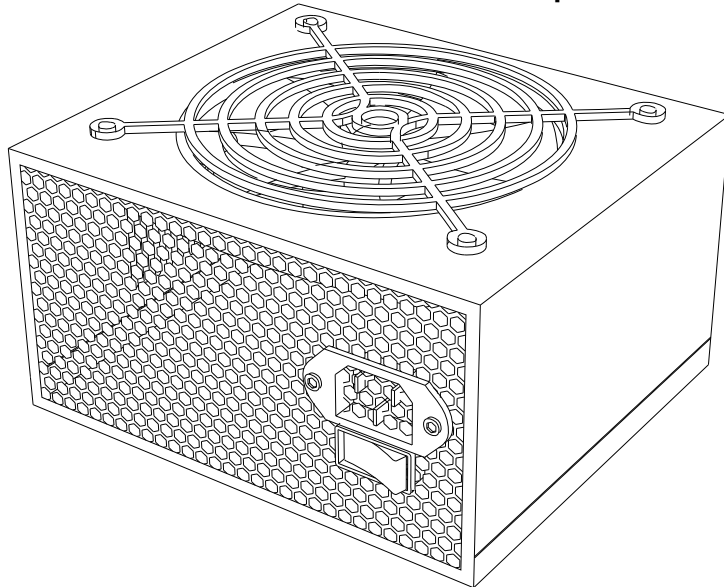
ION2

460 Watt Power Supply

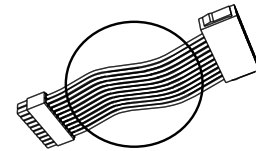
Model: VAN-460N



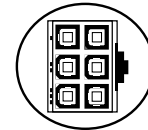
Ultra Quiet Temperature Controlled Fan.



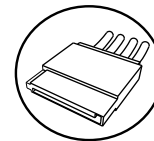
EZ-Grip Connectors. (x8)



Universal Connector.



PCI Express.



Serial ATA Hard Drive Power Connectors. (x2)

Specifications:

AC Input		115 Vac /60Hz/8A, 230Vac /50Hz/4.5A					
DC Output		+3.3V	+5V	+12V	-12V	-5V	+5VSB
VAN-460N	Max Output Current	28A	30A	30A	0.8A	0.5A	3.0A
460W	Max Combined Wattage	230W		360W	9.6W	2.5W	15.0W
		433W			27W		

43951 Boscell Road
 Fremont, CA 94538
 Tel: 510-668-0368
 Fax: 510-668-0367

www.vantecusa.com

Copyright © 2004 Vantec Thermal Technologies. All Rights Reserved.
 All registered trademarks belong to their respective companies.