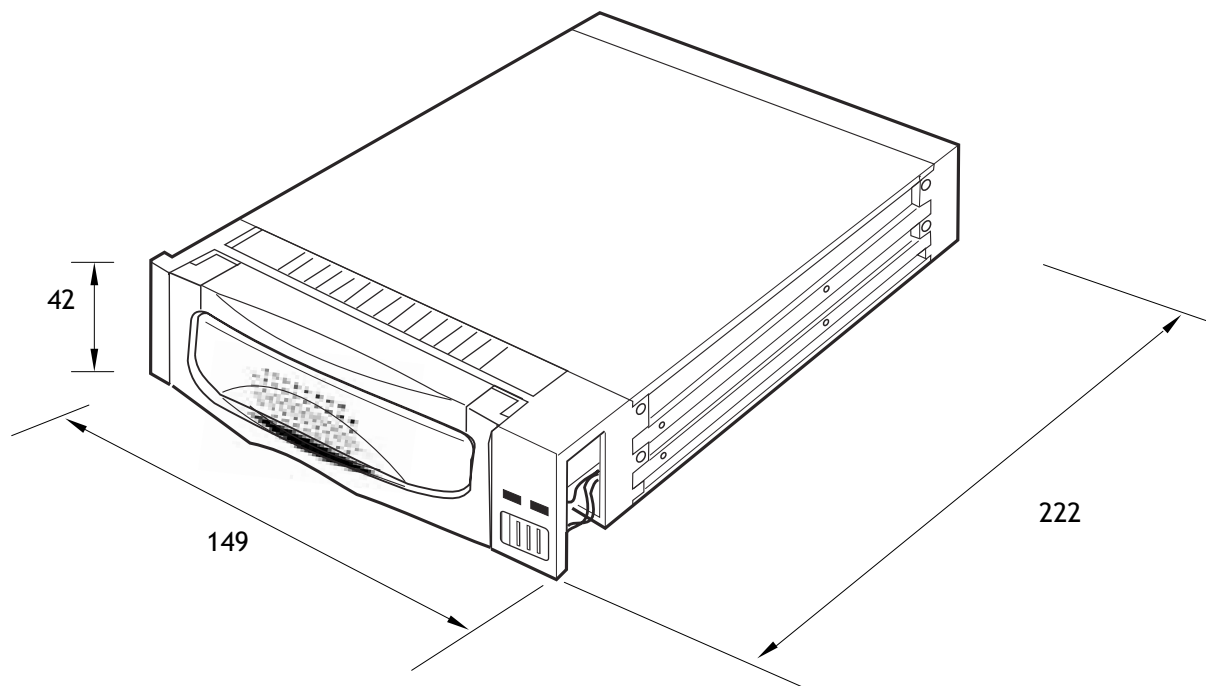


EZ·SWAP²

REMOVABLE HARD DRIVE RACK



Model: MRK-300FD-BK



Specifications:

Device Space: 5.25" Drive Bay
Interface: EIDE
Data Transfer Rate: 133MB/Sec (support ATA133)
Cooling Fan: 40x40x10mm
Material: Plastic & Aluminum Alloy
Dimension: 149x 222 x 42 mm (8.4x5.8x1.6 inch)

Package Includes:

EZ Swap2 x 1pc
Screws x 16pcs
Key x 2pcs
User Manual x 1pc

43951 Boscell Road
Fremont, CA 94538
Tel: 510-668-0368
Fax: 510-668-0367

www.vantecusa.com

Copyright © 2004 Vantec Thermal Technologies. All Rights Reserved.
All registered trademarks belong to their respective companies.