

# NexStar-3

EXTERNAL 3.5" HARD DRIVE ENCLOSURE  
eSATA & USB 2.0 INTERFACE



**Model: NST-360SU-BK  
NST-360SU-BL**

## Specifications:

Interface: SATA to eSATA & USB 2.0  
Dimension: 206 X 123 X 33 mm  
Supports Window 98SE / ME / 2000 / XP  
Mac OS 8.6 & Above

## Package Includes:

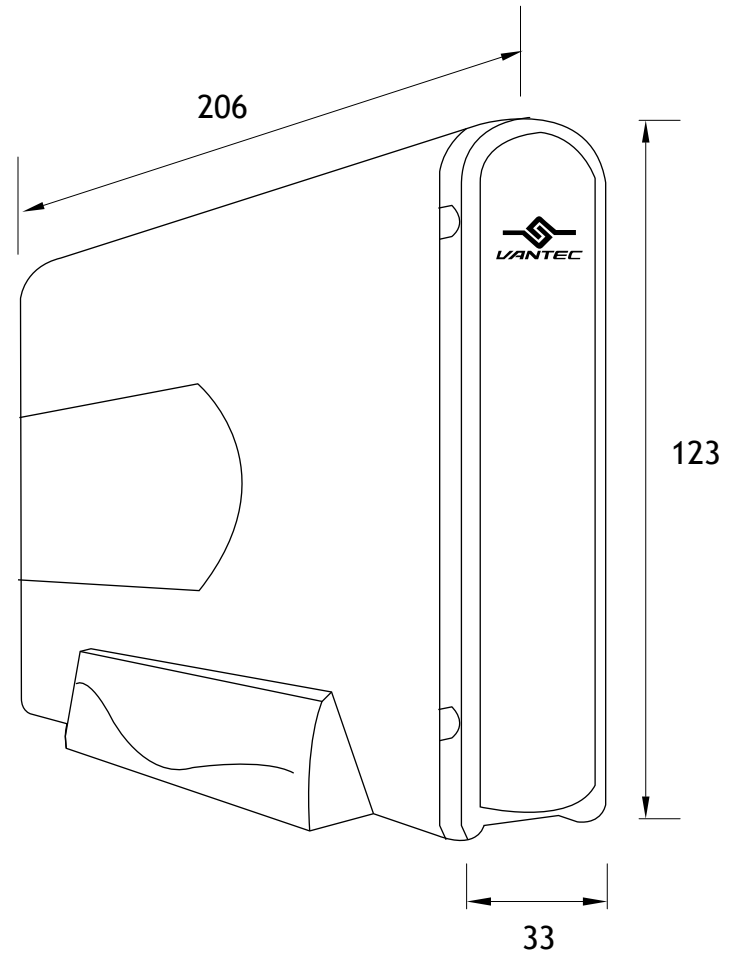
Driver Disc  
User Manual  
3.5" HDD Enclosure  
Power Adaptor  
Power Cable  
eSATA cable  
USB Cable  
SATA to eSATA bracket  
Vertical Stand  
Screws

## Platforms

Window 98SE / ME / 2000 / XP  
Mac OS 8.6 & Above

## System Requirements

Intel Pentium II 350 MHz-compatible or  
Mac G3 processor & greater  
Microsoft Windows 98SE/ME/2000/XP  
or Mac OS 8.6 & greater  
USB or SATA-equipped system  
For USB 2.0 speeds, the system must  
support USB 2.0 specifications  
CD Rom drive (if drivers are needed)



43951 Boscell Road  
Fremont, CA 94538  
Tel: 510-668-0368  
Fax: 510-668-0367

**[www.vantecusa.com](http://www.vantecusa.com)**

Copyright © 2006 Vantec Thermal Technologies. All Rights Reserved.  
All registered trademarks belong to their respective companies.