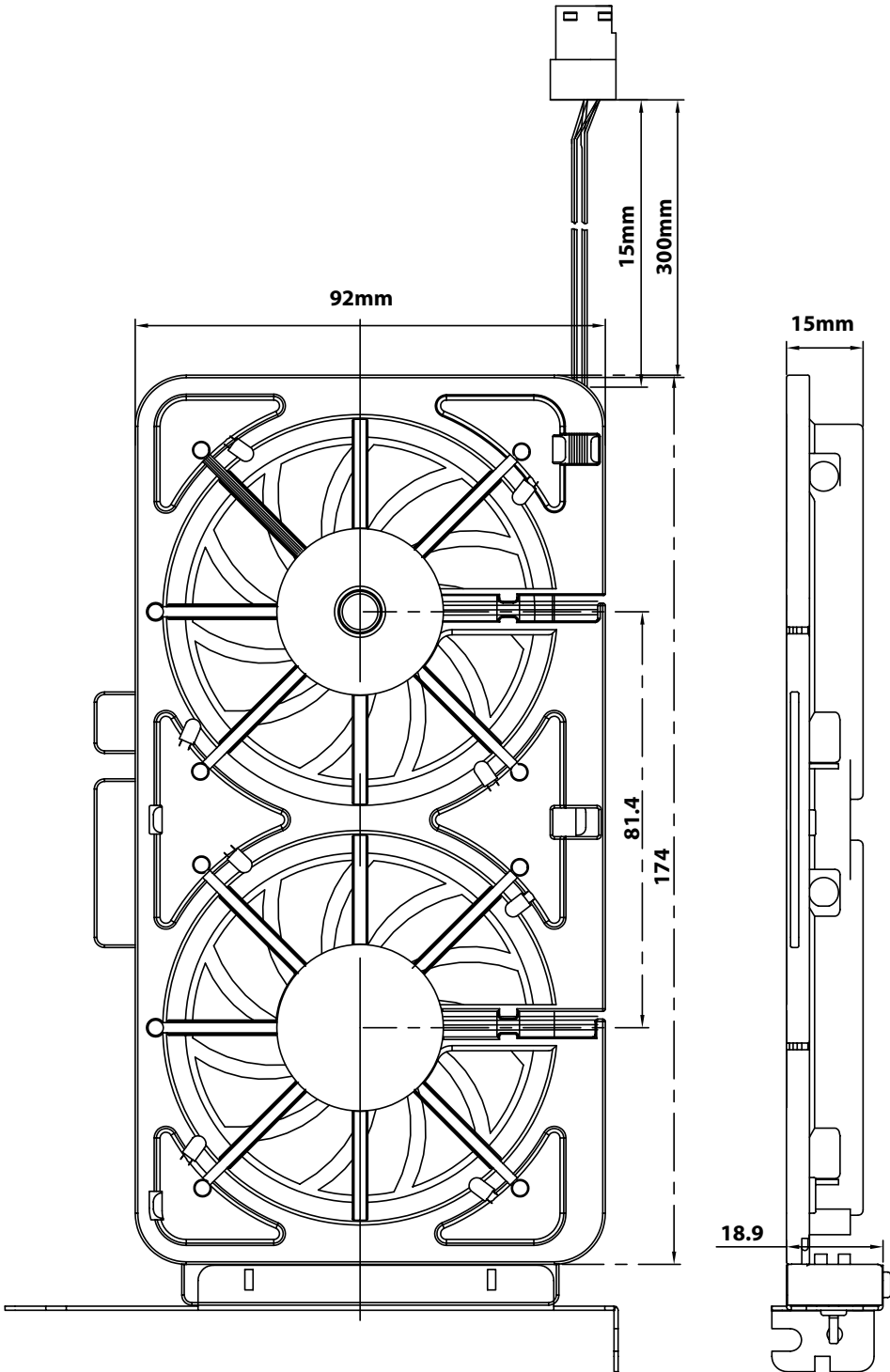




Model : SP-FC70-BL



Specifications:

- ▶ Outline Dimension: 195x92x20mm
- ▶ Fan size: 70x70x15mm
- ▶ Voltage: 7 ~ 12V
- ▶ Power: 9W
- ▶ Speed: 2400 ~ 4000 RPM
- ▶ Airflow: 17.73 ~ 29.54 CFM
- ▶ Current: 0.327A ~ 0.750A
- ▶ Noise: 25 ~ 36.64 dBA
- ▶ Bearing Type: Ball Bearing
- ▶ Life: 50,000 hrs
- ▶ Weight: 300g

Tel: (510) 668-0368

Fax: (510) 668-0367

Address: 43185 Osgood Road Fremont, CA 94539

Copyright 2003 Vantec Thermal Technologies, Inc. All Rights Reserved

All Registered Trademarks Belong To Their Respected Companies.

www.vantecusa.com