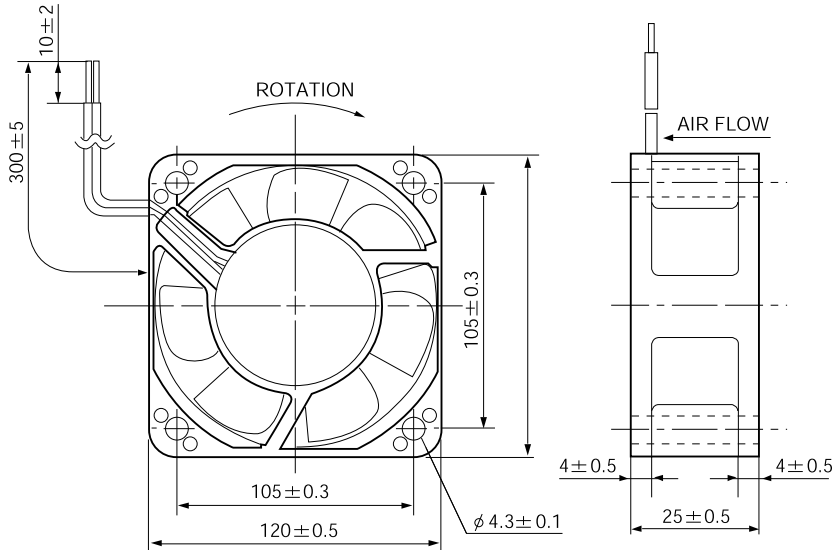
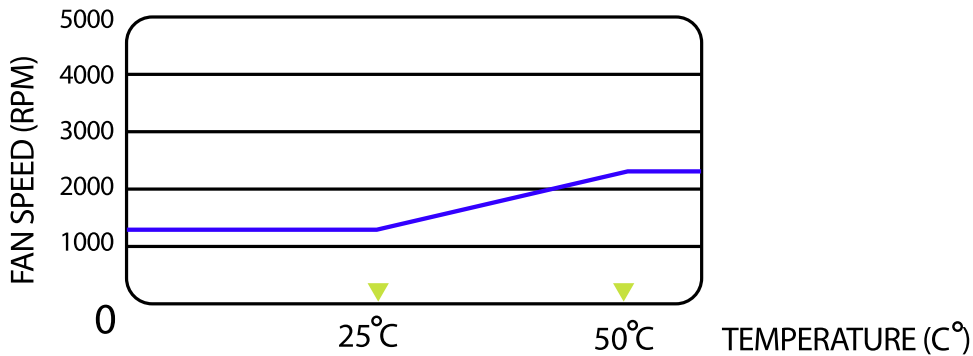


Model: TF12025

External Dimensions:



Performance Curves:



Specifications:

Model #:	TF12025
Dimension:	120 x 120 x 25 mm (4.72" x 4.72" x 0.98")
Rated Voltage:	12 VDC
Power Input:	2.04 ~ 3.36 W
Fan Speed:	1300 ~ 2200 RPM
Air Delivery:	54.3 ~ 92 CFM
Noise Level:	29 ~ 39 dB(A)
Bearing Type:	Double Ball Bearing

Contact Info: Mailing Address: 43185 Osgood Rd. Fremont, CA 94539

Phone: 510.668.0368 Fax: 510.668.0367 www.vantecusa.com