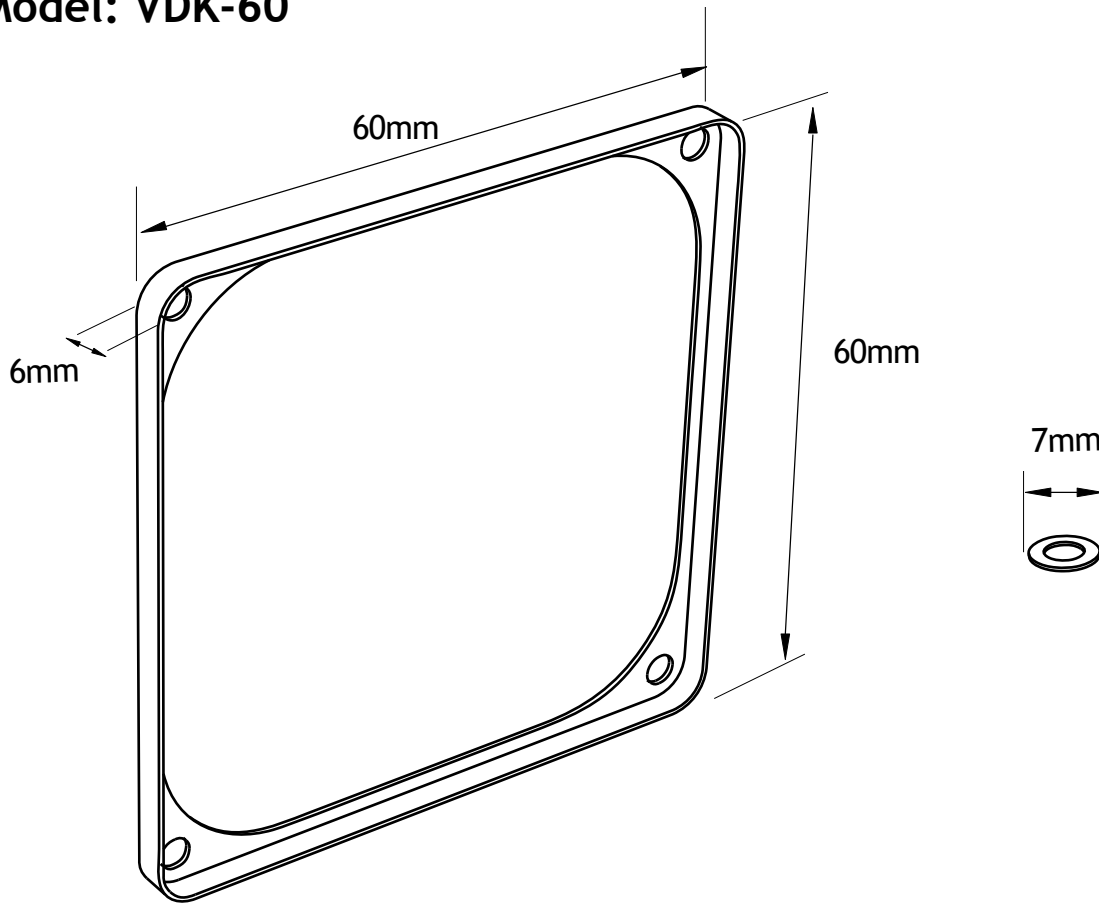


# Fan Accessory

## Vibration Dampener Kit

Model: VDK-60



### Specifications:

Model:	<b>VDK-60</b>
Material:	<b>Silica Gel</b>
Dimension:	<b>60 x 60 mm</b>

### Package Includes:

Screw X12  
Screw Washer X12  
Fan Dampener X2

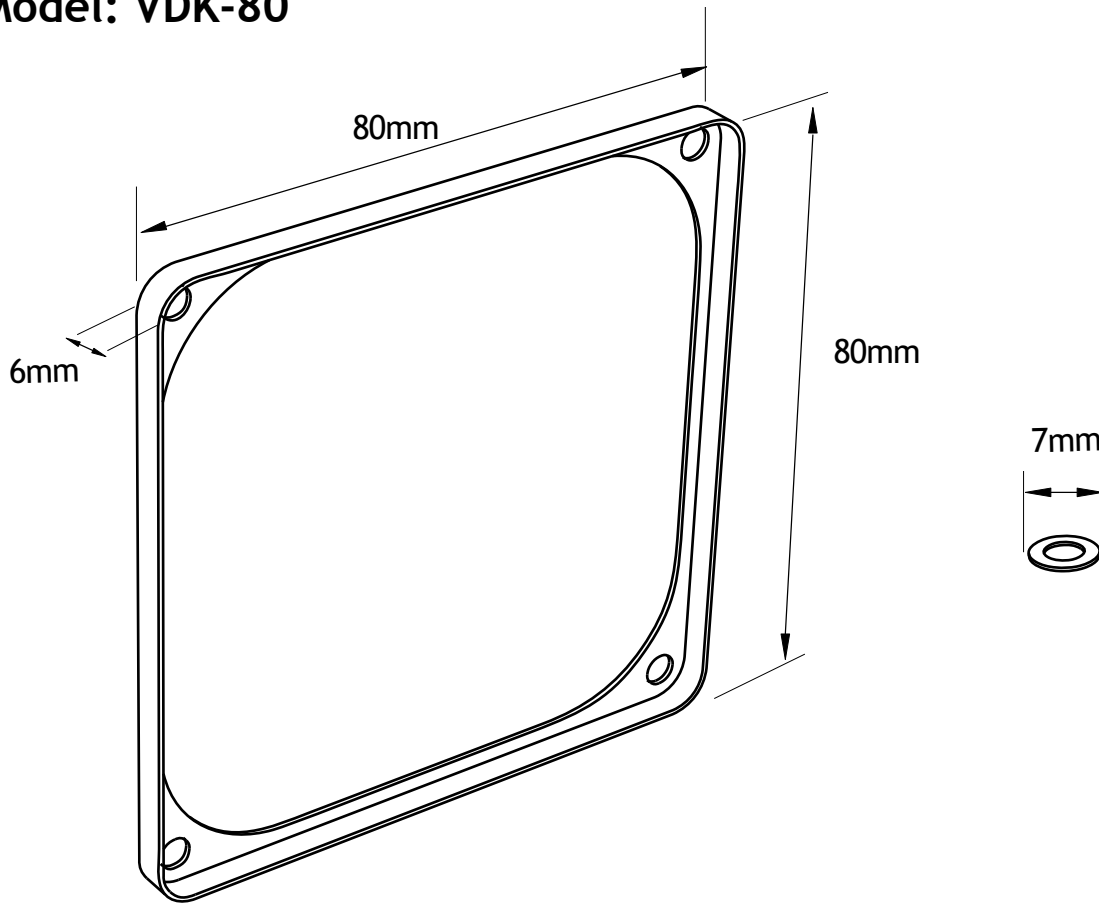
43951 Boscell Road  
Fremont, CA 94538  
Tel: 510-668-0368  
Fax: 510-668-0367

**[www.vantecusa.com](http://www.vantecusa.com)**

# Fan Accessory

## Vibration Dampener Kit

Model: VDK-80



### Specifications:

Model:	<b>VDK-80</b>
Material:	<b>Silica Gel</b>
Dimension:	<b>80 x 80 mm</b>

### Package Includes:

Screw X12  
Screw Washer X12  
Fan Dampener X2

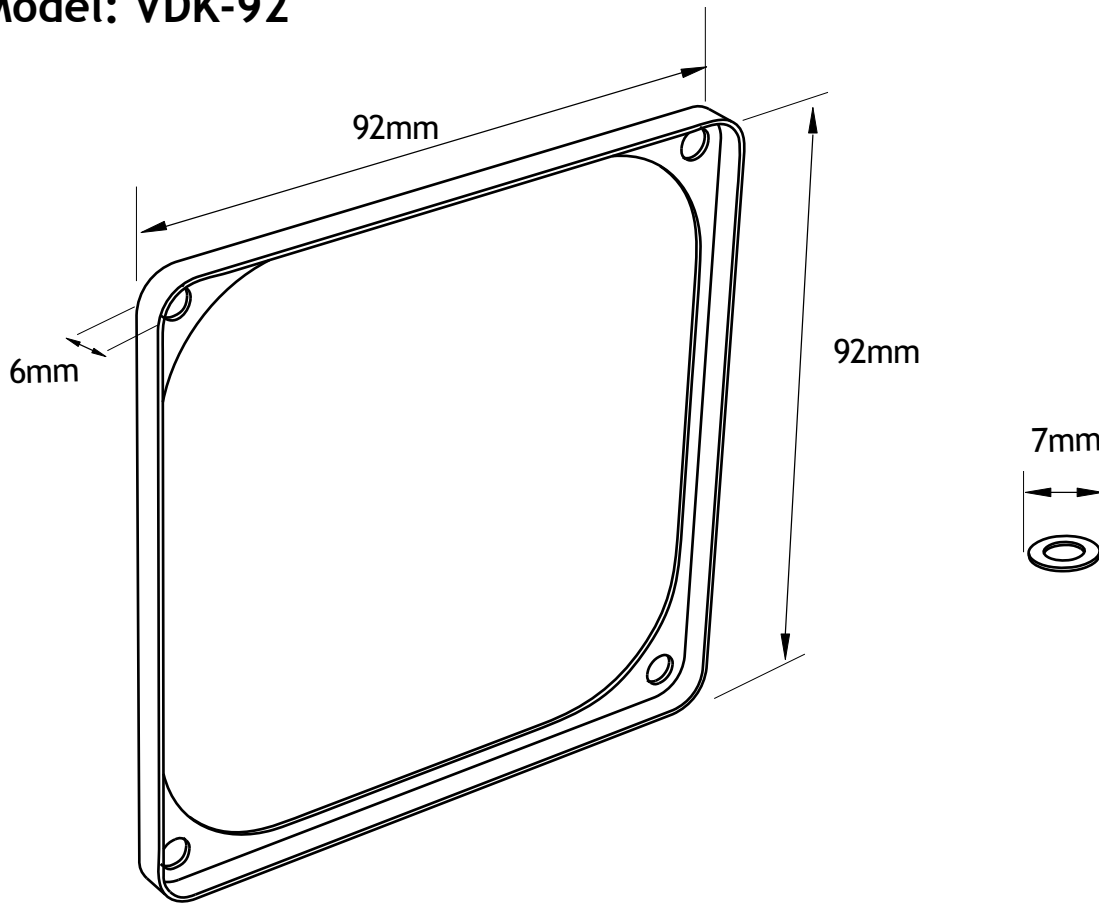
43951 Boscell Road  
Fremont, CA 94538  
Tel: 510-668-0368  
Fax: 510-668-0367

**[www.vantecusa.com](http://www.vantecusa.com)**

# Fan Accessory

## Vibration Dampener Kit

Model: VDK-92



### Specifications:

Model:	<b>VDK-92</b>
Material:	<b>Silica Gel</b>
Dimension:	<b>92 x 92 mm</b>

### Package Includes:

Screw X12  
Screw Washer X12  
Fan Dampener X2

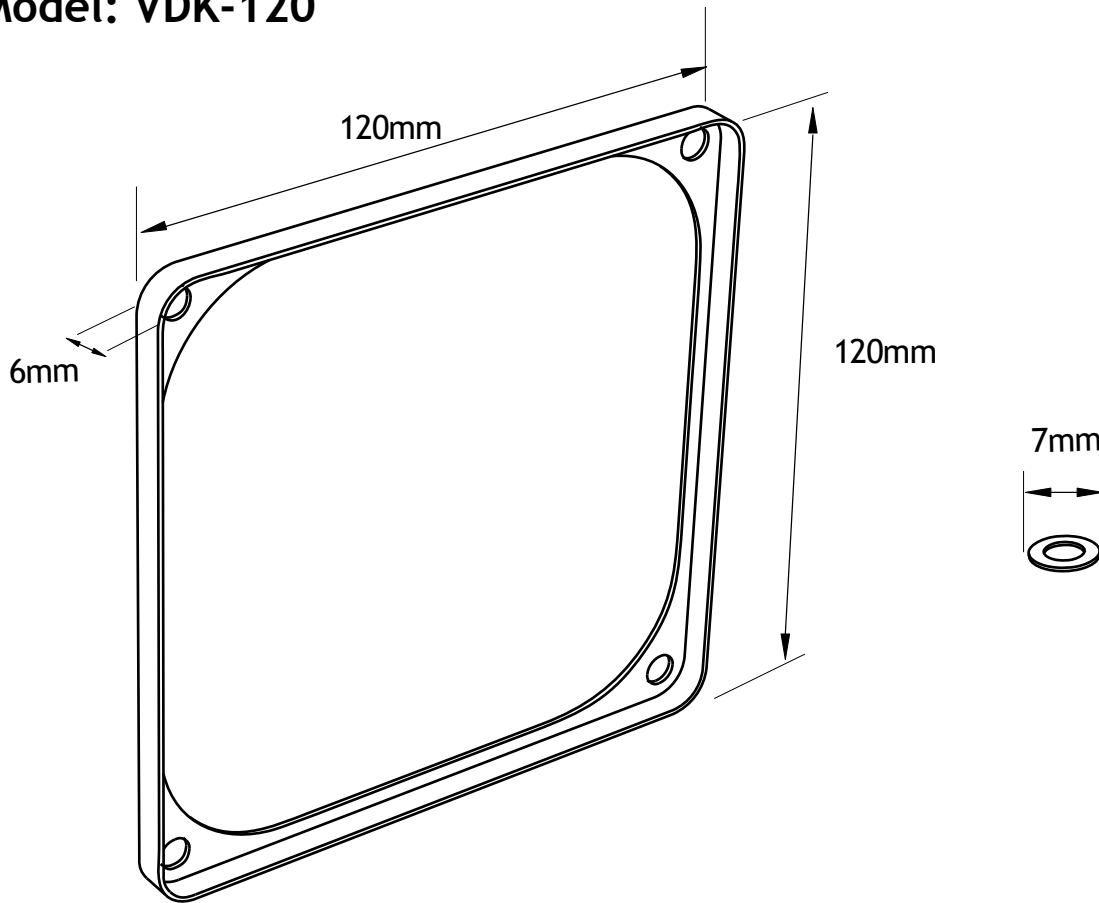
43951 Boscell Road  
Fremont, CA 94538  
Tel: 510-668-0368  
Fax: 510-668-0367

**[www.vantecusa.com](http://www.vantecusa.com)**

# Fan Accessory

## Vibration Dampener Kit

Model: VDK-120



### Specifications:

Model: **VDK-120**  
Material: **Silica Gel**  
Dimension: **120 x 120 mm**

### Package Includes:

Screw X12  
Screw Washer X12  
Fan Dampener X2

43951 Boscell Road  
Fremont, CA 94538  
Tel: 510-668-0368  
Fax: 510-668-0367

[www.vantecusa.com](http://www.vantecusa.com)