



Hard Drive Cooling System

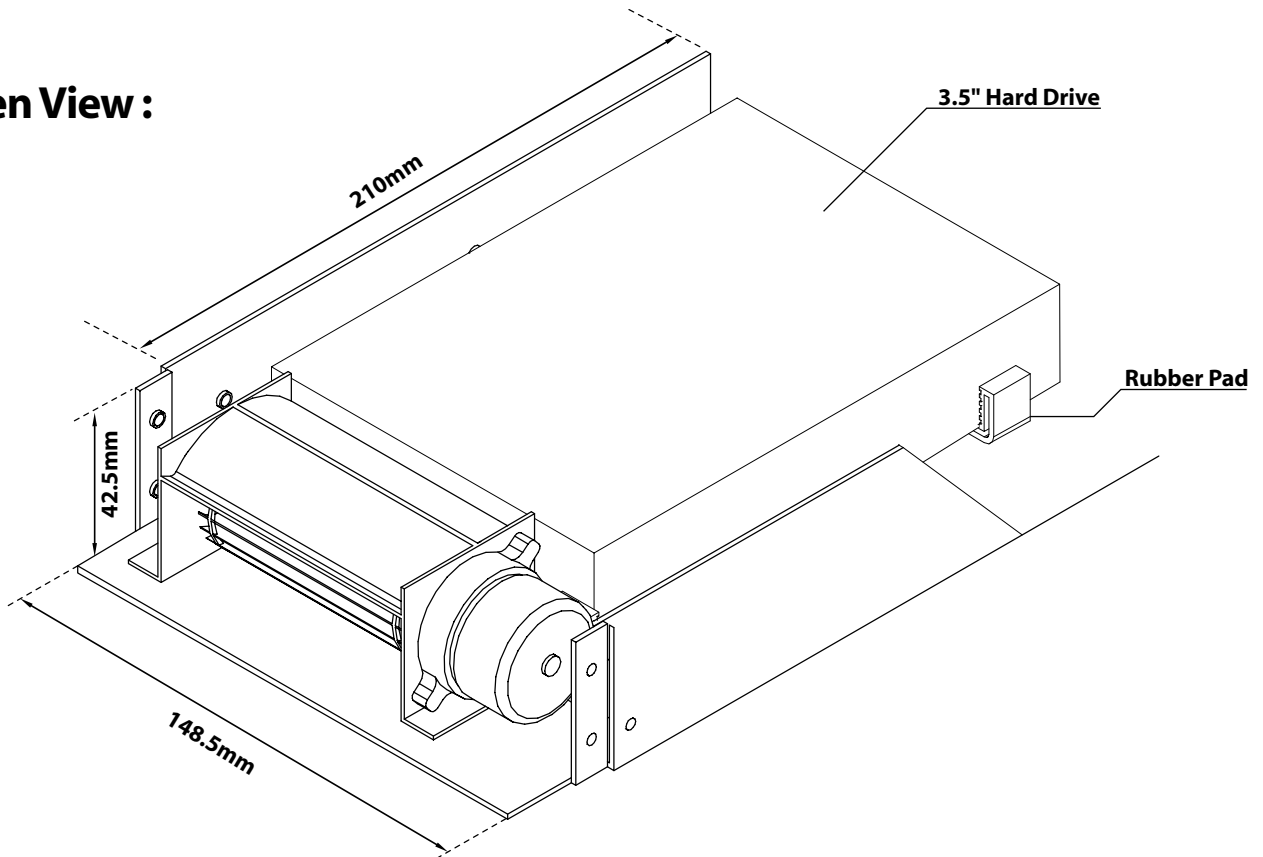


**Model : VTX-COI-SL,
VTX-COI-BK**

Specifications :

- ▶ Dimension: 210 x 148.5 x 42.5 mm
- ▶ Weight: 750 g
- ▶ Rated Voltage: 12 V
- ▶ Rated Current: 0.1 A
- ▶ Fan Speed: 2000 ~ 3700 RPM
- ▶ Airflow: 16 ~ 30 CFM
- ▶ Noise Level: 28 ~ 38 dBA
- ▶ Fan MTBF: 30,000 hrs
- ▶ Bearing Type: Ball Bearing

Open View :



Tel: (510) 668-0368

Fax: (510) 668-0367

Address: 43185 Osgood Road Fremont, CA 94539

Copyright 2003 Vantec Thermal Technologies, Inc. All Rights Reserved

All Registered Trademarks Belong To Their Respected Companies.

www.vantecusa.com